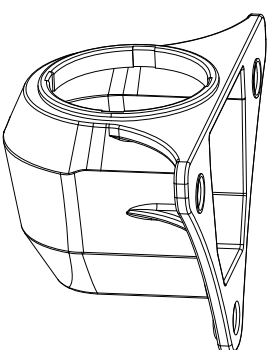
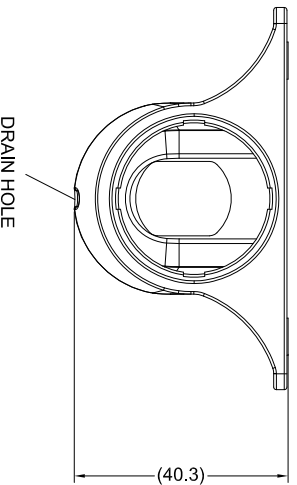
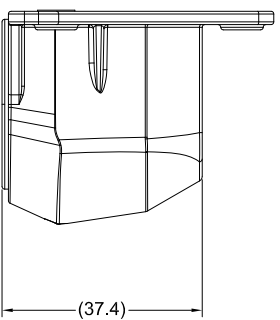
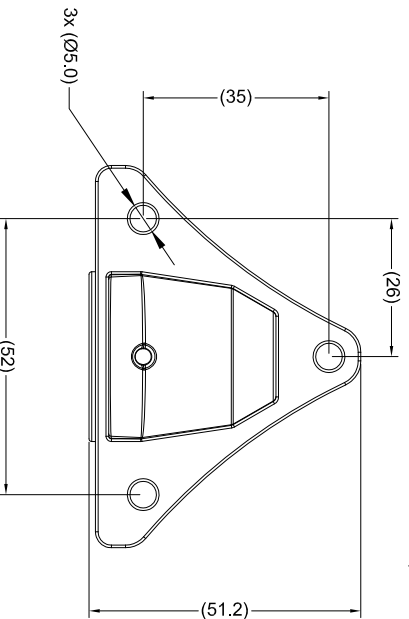
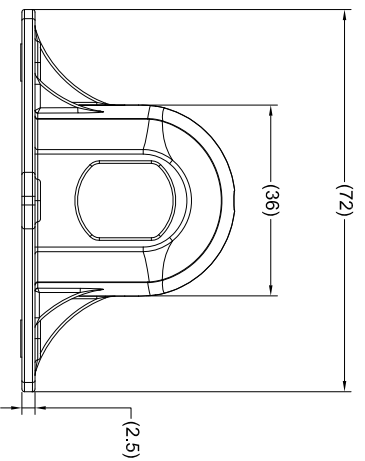


Revision Notes:

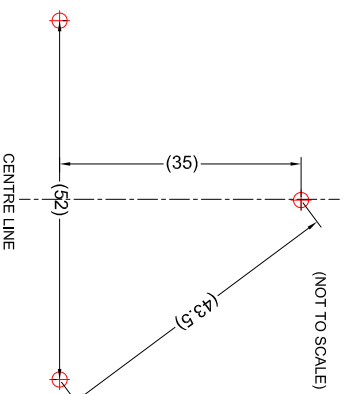
Checked By:

Approved By:

Date Released:



### DRILLING TEMPLATE



- NOTES:**
1. DIMENSIONS IN MM.
  2. MATERIAL: PC PLASTIC +30% ABS.
  3. COLOUR: BLACK
  4. DEFAULT TOLERANCE IS 0.2MM

#### PROPRIETARY NOTICE

THIS DESIGN AND TECHNICAL INFORMATION APPEARING ON THIS DRAWING IS THE PROPERTY OF BRIGADE ELECTRONICS, AND IS DISCLOSED IN CONFIDENCE. IT IS NOT TO BE COPIED, REPRODUCED, REVEALED TO OR EXPLOITED BY OTHERS, EITHER IN WHOLE OR IN PART WITHOUT THE EXPRESS WRITTEN CONSENT OF BRIGADE ELECTRONICS.

**BRIGADE**  
www.brigade-electronics.com

Assembly Pl Approval LEE OG - 20/07/2011		Approved by S.MATTHEWS		Checked by J.NEWMAN		Drawn by M.POTTER	
Angle of Projection	Units mm	Scale N/A	Released 01/08/11	Assembly Ref PP2-00047-00			

Third Angle	Status RELEASED	UDS-00SM
Stock Code #3726		BE-001635-00-11